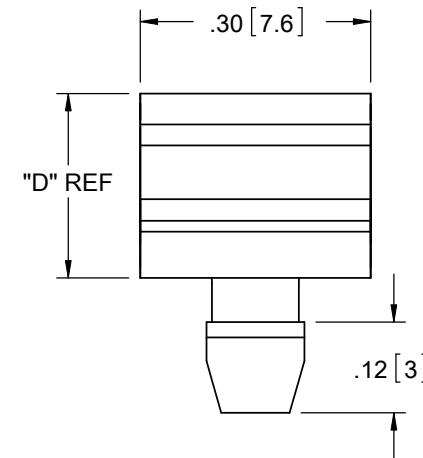
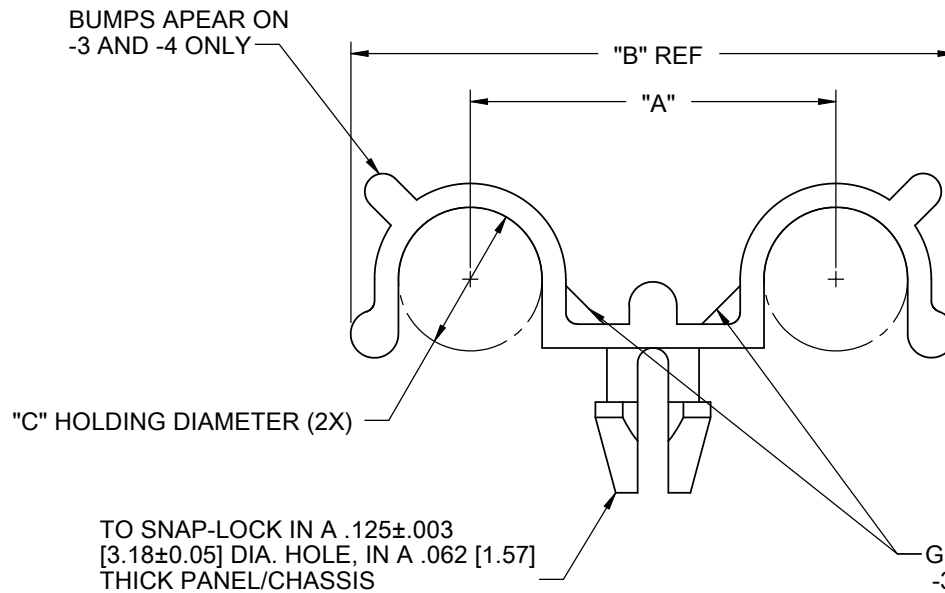


PART NO.	"A"	"B" REF	"C" HOLDING DIAMETER	"D" REF
DHURC-2-01	.41 [10.4]	.66 [16.8]	1/8 [3.2]	.17 [4.3]
DHURC-3-01	.48 [12.2]	.79 [20.1]	3/16 [4.8]	.24 [6.1]
DHURC-4-01	.55 [14]	.94 [23.9]	1/4 [6.4]	.30 [7.6]



**NOTES:**

1. MATERIAL: NYLON 6/6 UL 94 V-2 (RMS-01).  
 NYLON 6/6 UL 94 V-0 (RMS-19) AVAILABLE  
 BY SPECIAL ORDER ONLY
2. COLOR: NATURAL.

TITLE: <b>DOUBLE "HALF-U" ROUTING CLIP</b>						DWG IN IN [MM]	
CREATED USING SOLIDWORKS	FILE #: DHURC	DWN: SK	APP: S.J.	FINAL			
TOLERANCES UNLESS NOTED .XX=±.010 .XXX=±.005 FRAC.=±1/64 ANG.=±1°	SHEET: 1 OF 1	SHEET SIZE: A	DT: 04/29/08	CHKD: S.K.	PART #		PRINT TYPE
RE: RICHCO, INC.		RICHCO, INC. ENG@RICHCO-INC.COM (773) 539-4060		SEE TABLE		CA	

REV.	DESCRIPTION	ENGR.	DATE
C	SEE CO 200169 FOR CHANGES	S.K.	04/29/08
B	UPDATED NOTES AND CHANGED FILE NO.	S.M.	05/10/02
A	CONVERTED TO AUTOCAD	P.B.	08/02/095